

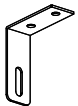
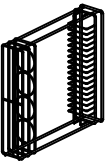

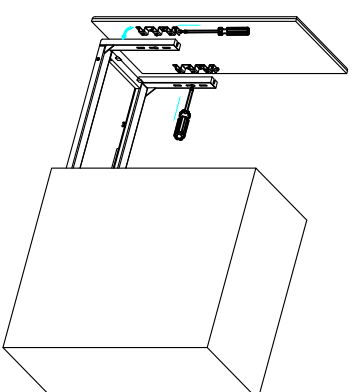


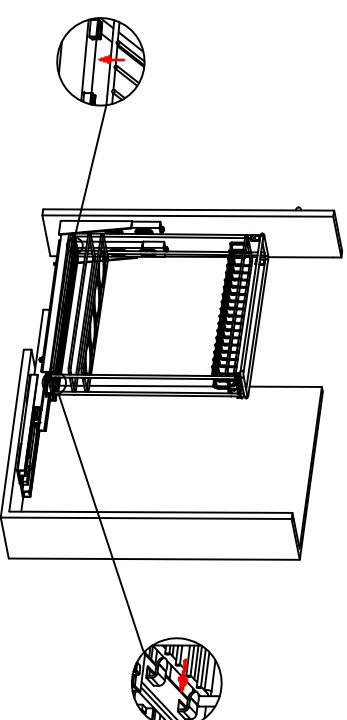
Installation Manual ← Bottle Basket

Accessory List					
	M4x16	24		Base	1
	Connection block	2		Basket	1
	M5x6	2			

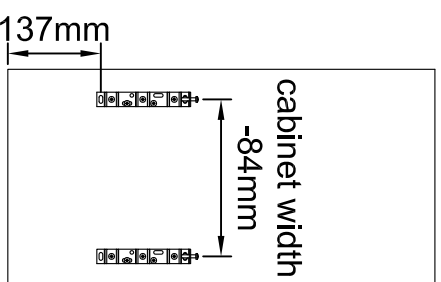
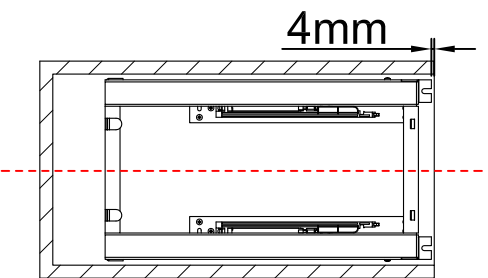
2 Adjust panel's position and fix it with screw as shown.



3 Fixing basket into base.



1 Fix the base in the middle of cabinet.



4 Fix the connection block with door panel, make sure slide moving smoothly.

