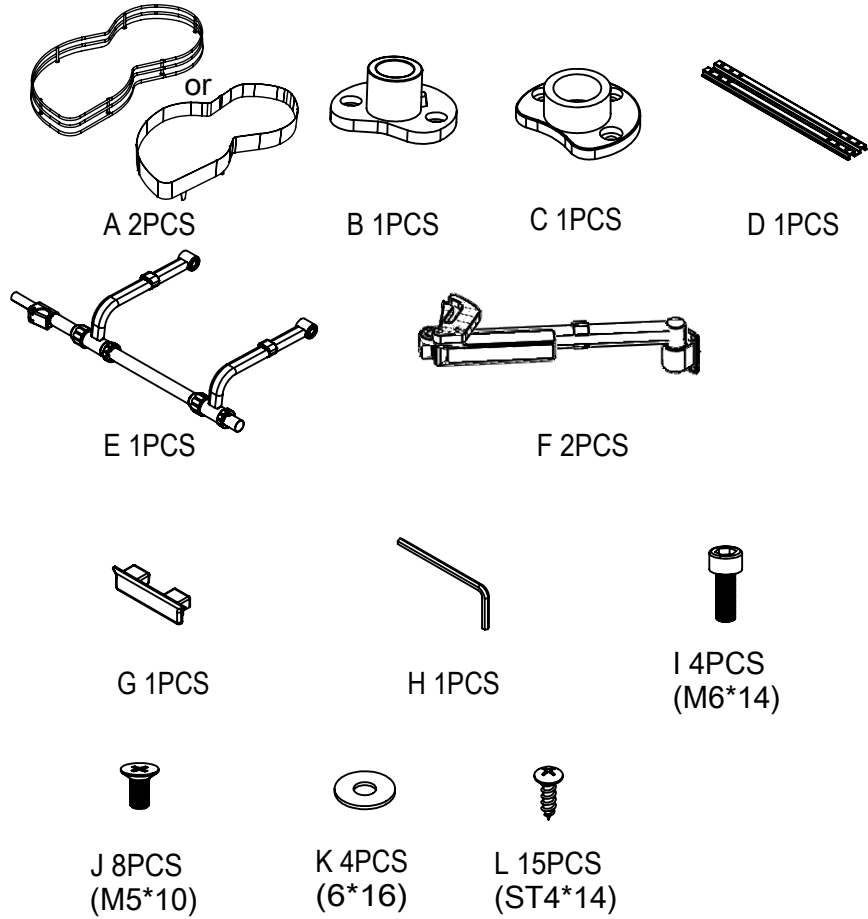
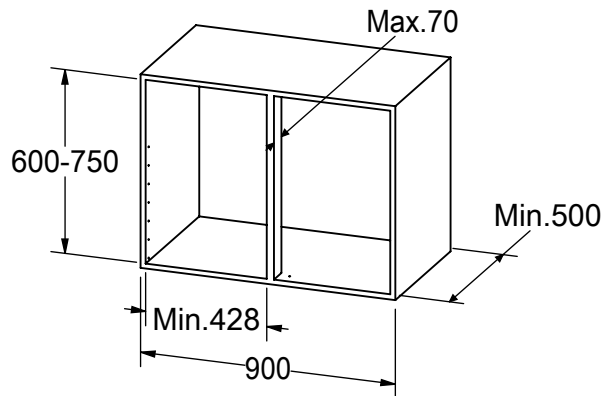


1. Components



2. Dimension



3. Installation

①

