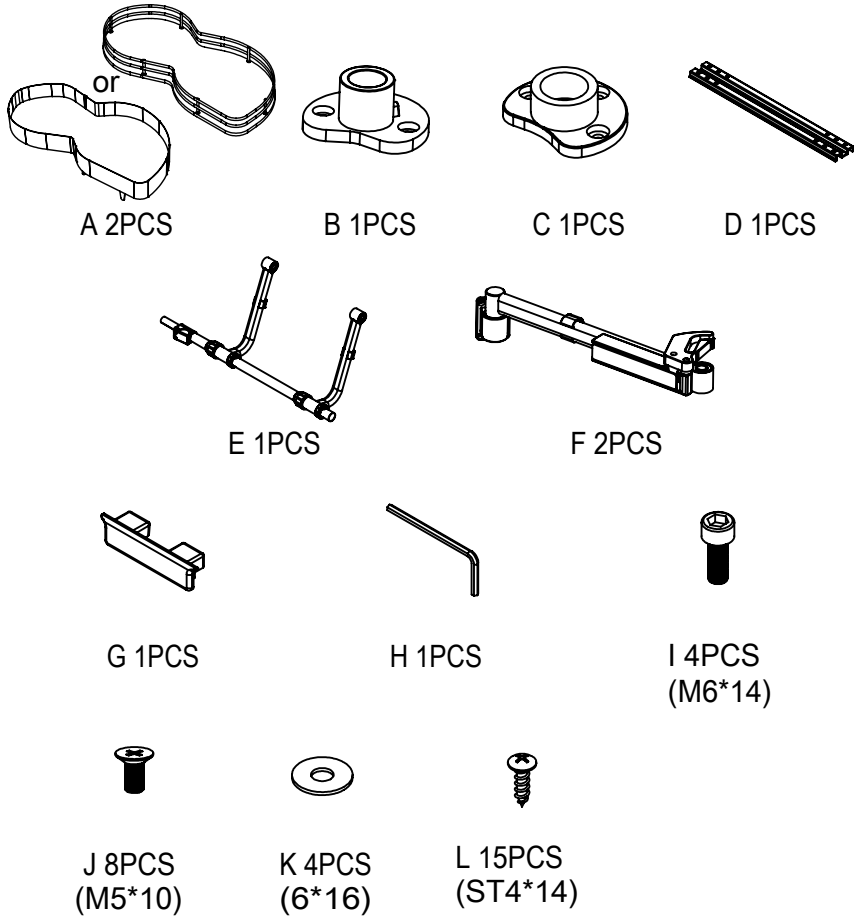
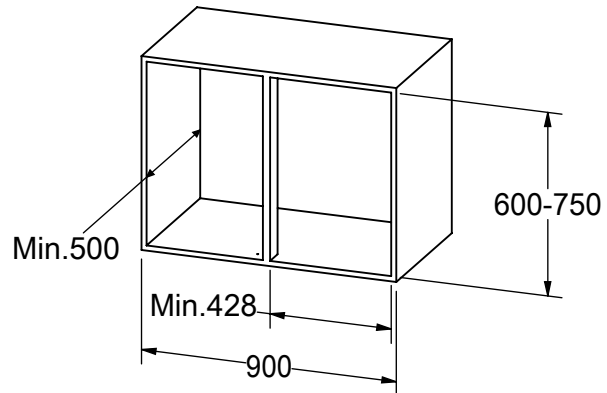


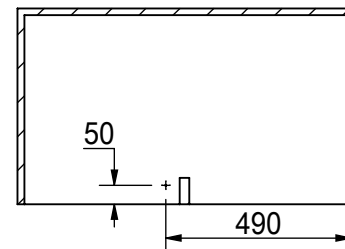
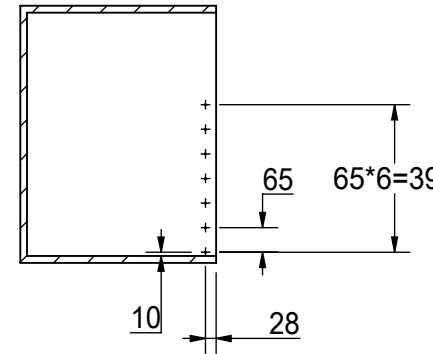
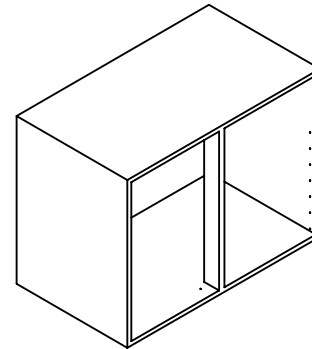
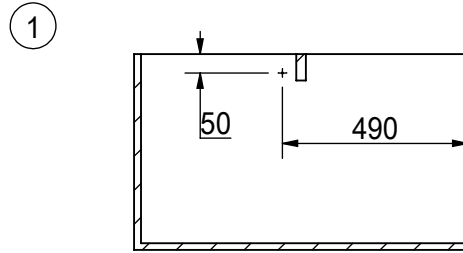
1. Components

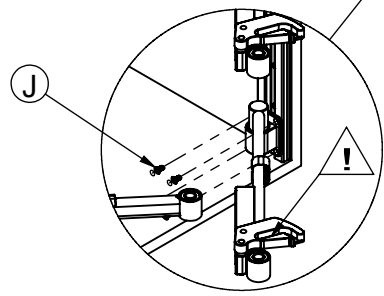
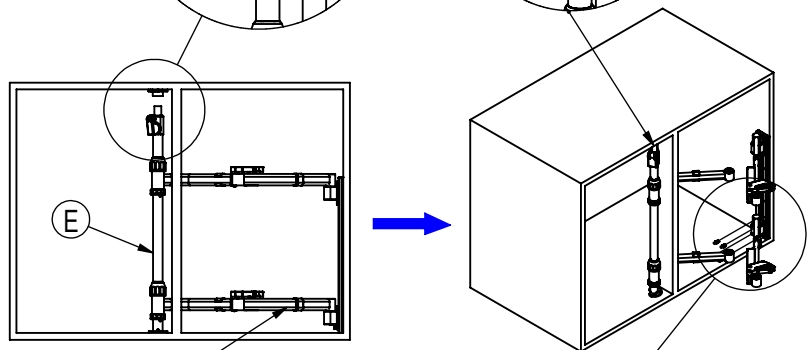
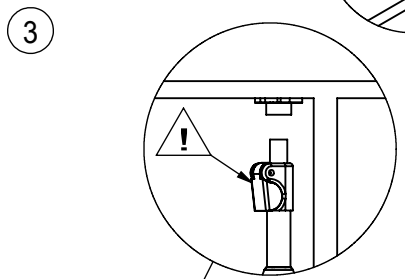
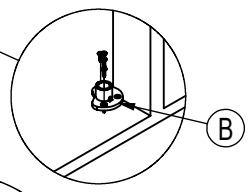
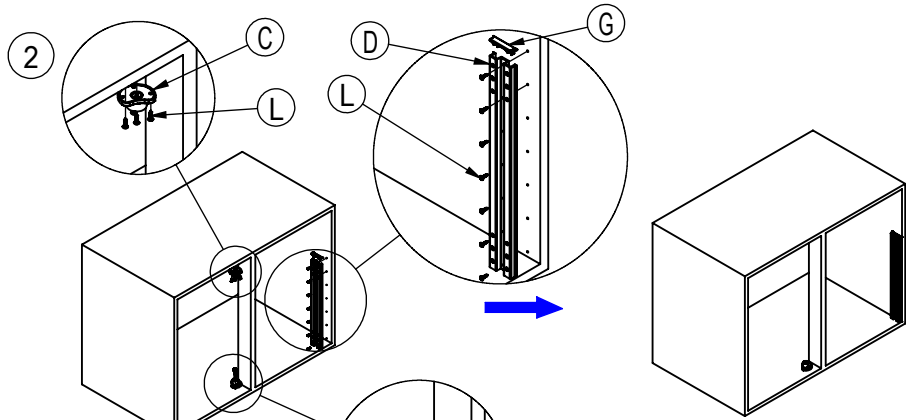


2. Dimension



3. Installation





Note: Close the damper of Part C as shown

